

# PRL GLASS SYSTEMS

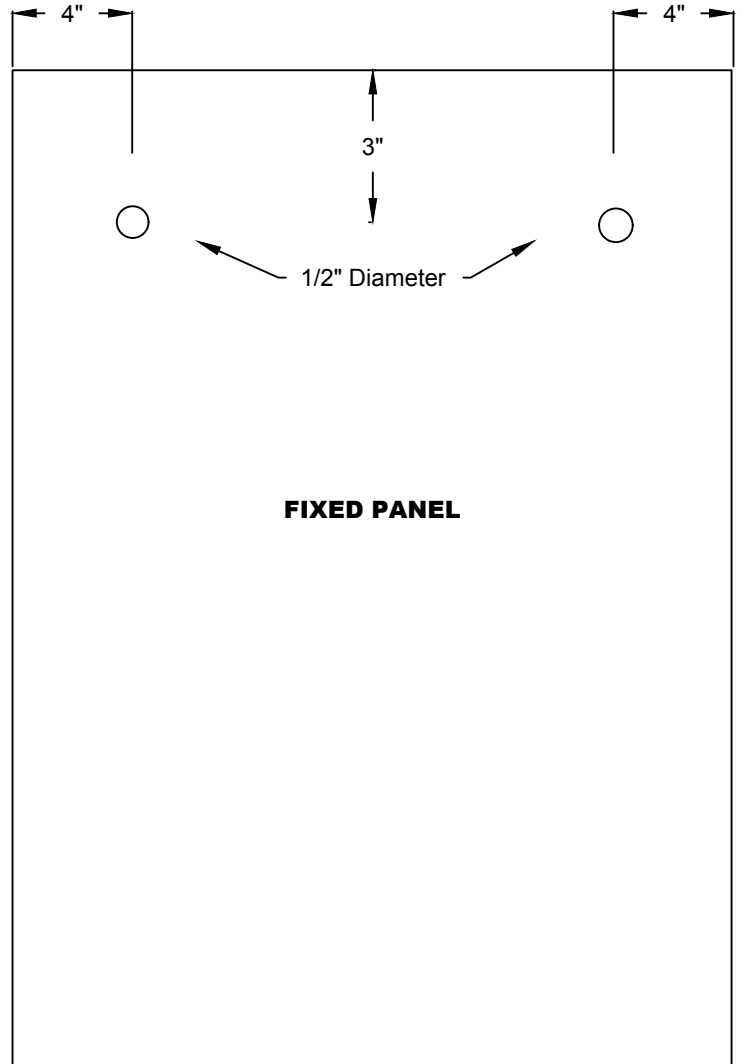
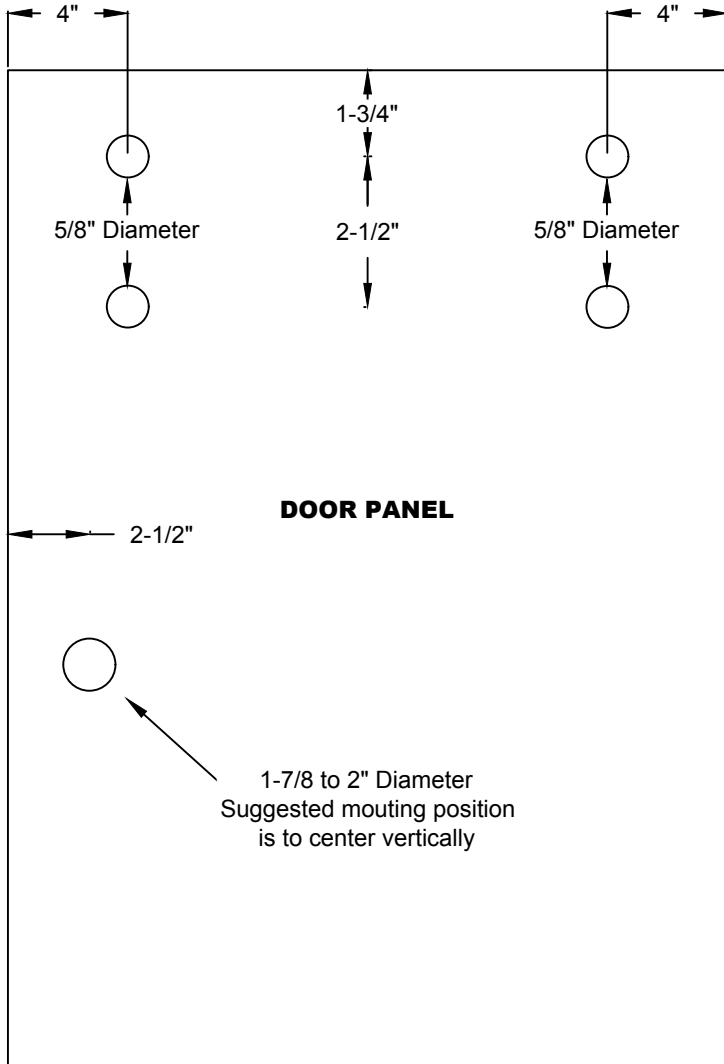
## TIFFANY SHOWER DOOR SLIDER PART # PL-SDTIFFANY

CUSTOMER: \_\_\_\_\_

GLASS TYPE: \_\_\_\_\_

PO# / Job name: \_\_\_\_\_

Glass Thickness: \_\_\_\_\_



# PRL GLASS SYSTEMS

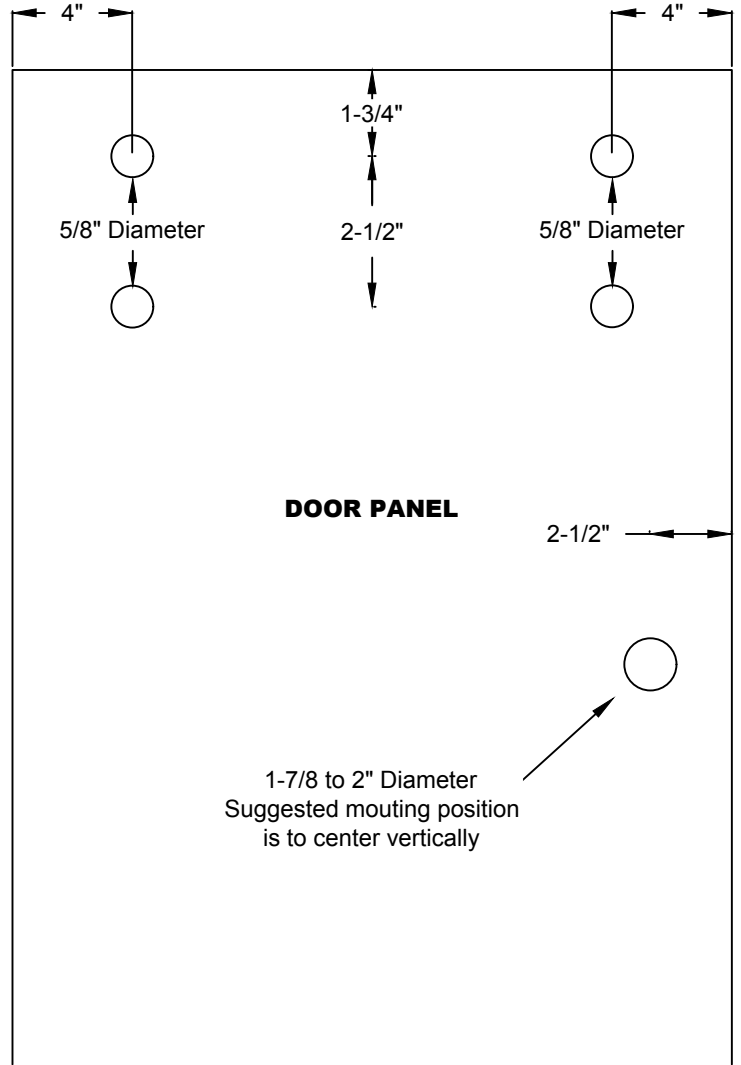
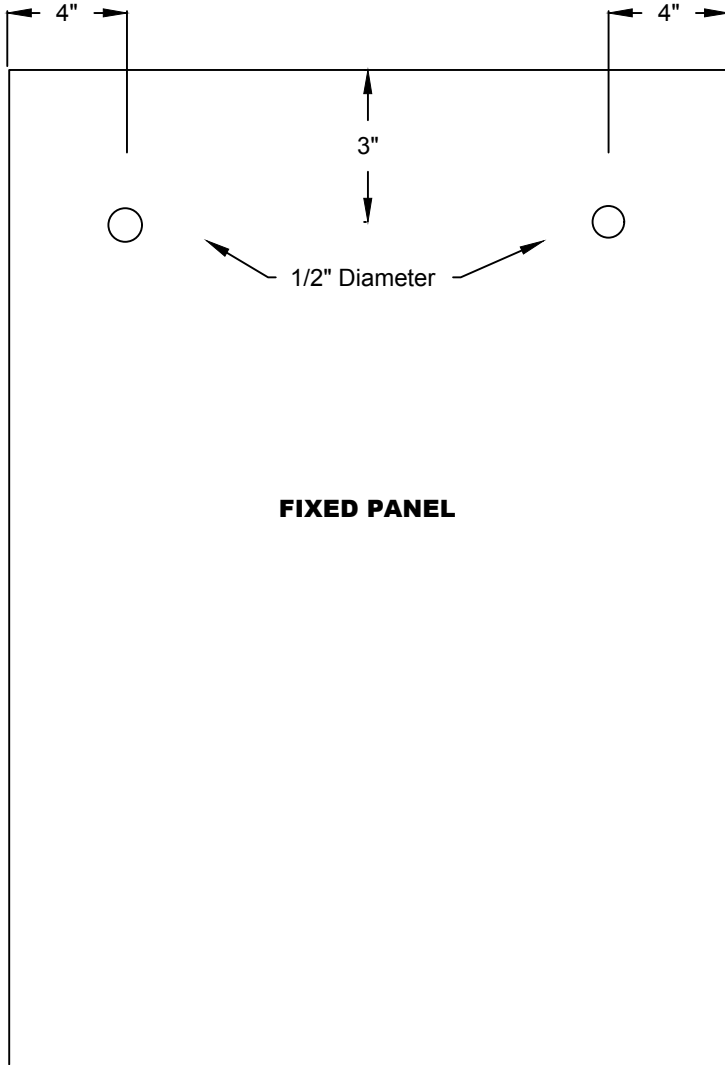
## TIFFANY SHOWER DOOR SLIDER PART # PL-SDTIFFANY

CUSTOMER: \_\_\_\_\_

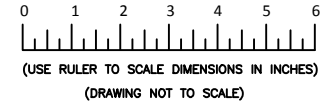
GLASS TYPE: \_\_\_\_\_

PO# / Job name: \_\_\_\_\_

Glass Thickness: \_\_\_\_\_

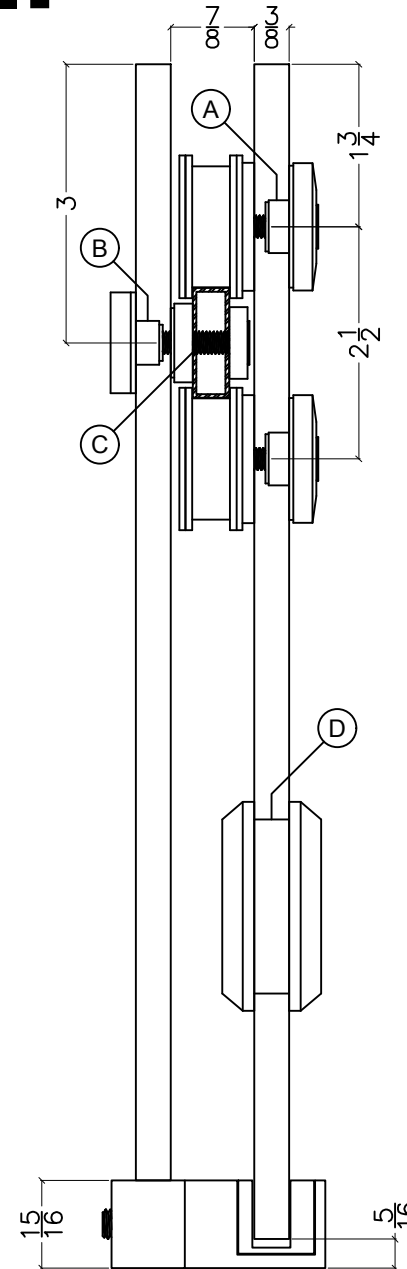
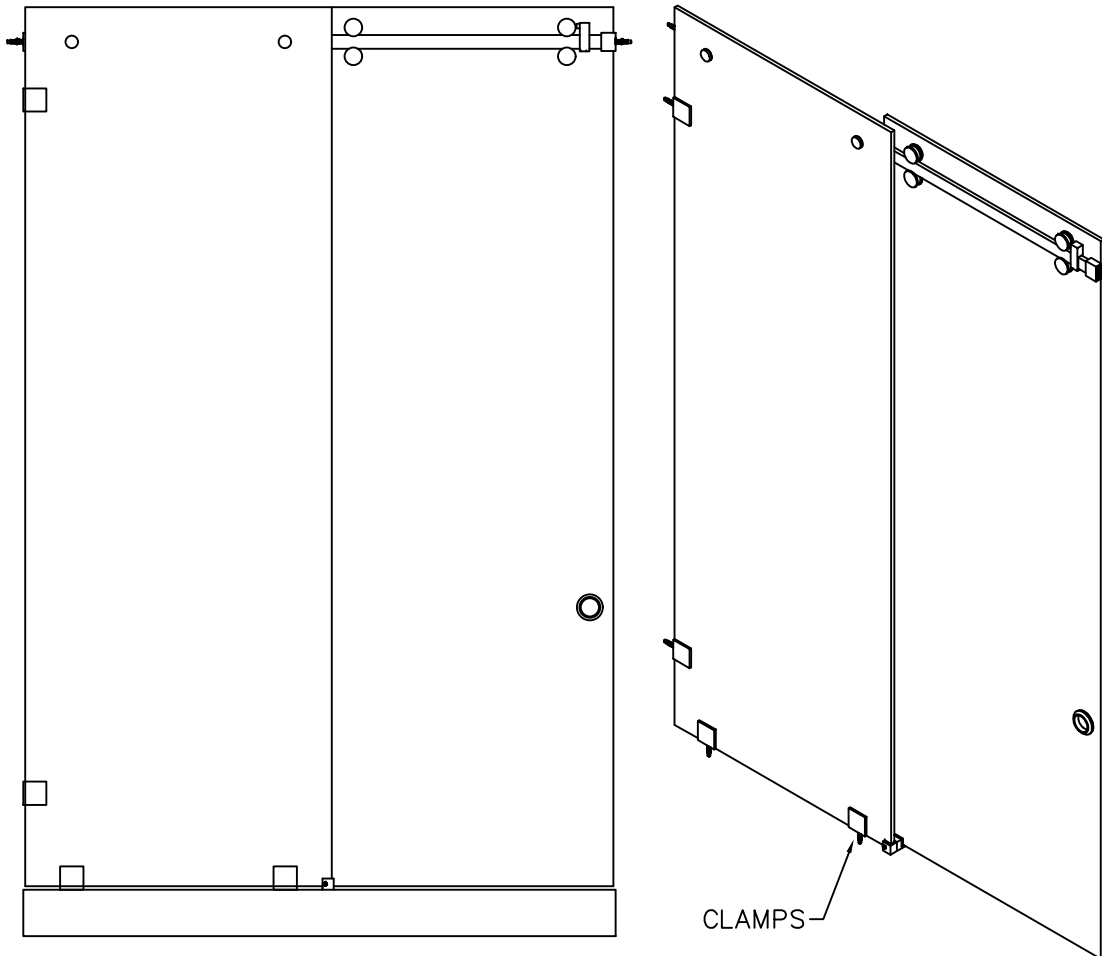


## PL-SDTIF



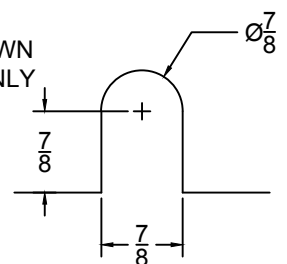
- Finishes Available
- Polished Stainless PL-SDTIFPS
  - Brushed Stainless PL-SDTIFBS
  - Oil Rubbed Bronze PL-SDTIFORB

MAXIMUM WEIGHT: 130 LBS  
SUPPORT BAR LENGTH: 60"

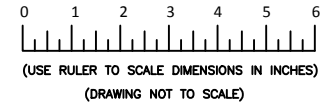


- A) ROLLER HOLE SIZE: 5/8"Ø
- B) FIXED PANEL HOLE SIZE: 5/8"Ø
- C) TRACK THRU HOLE SIZE: 3/8"Ø
- D) FLUSH PULL HOLE SIZE: 1-7/8"Ø

CLAMP CUT OUT VARIES  
PL-TSC  
CLAMP SHOWN  
FOR REF. ONLY



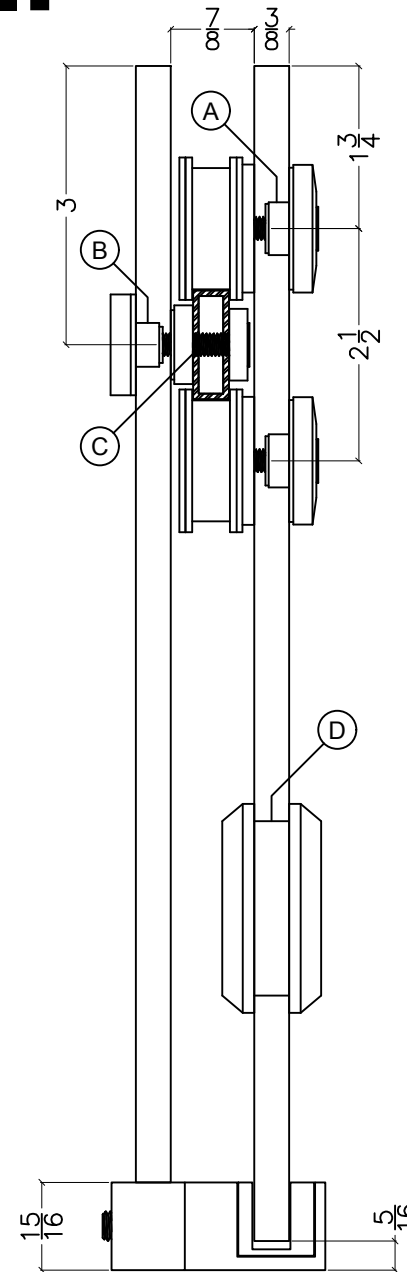
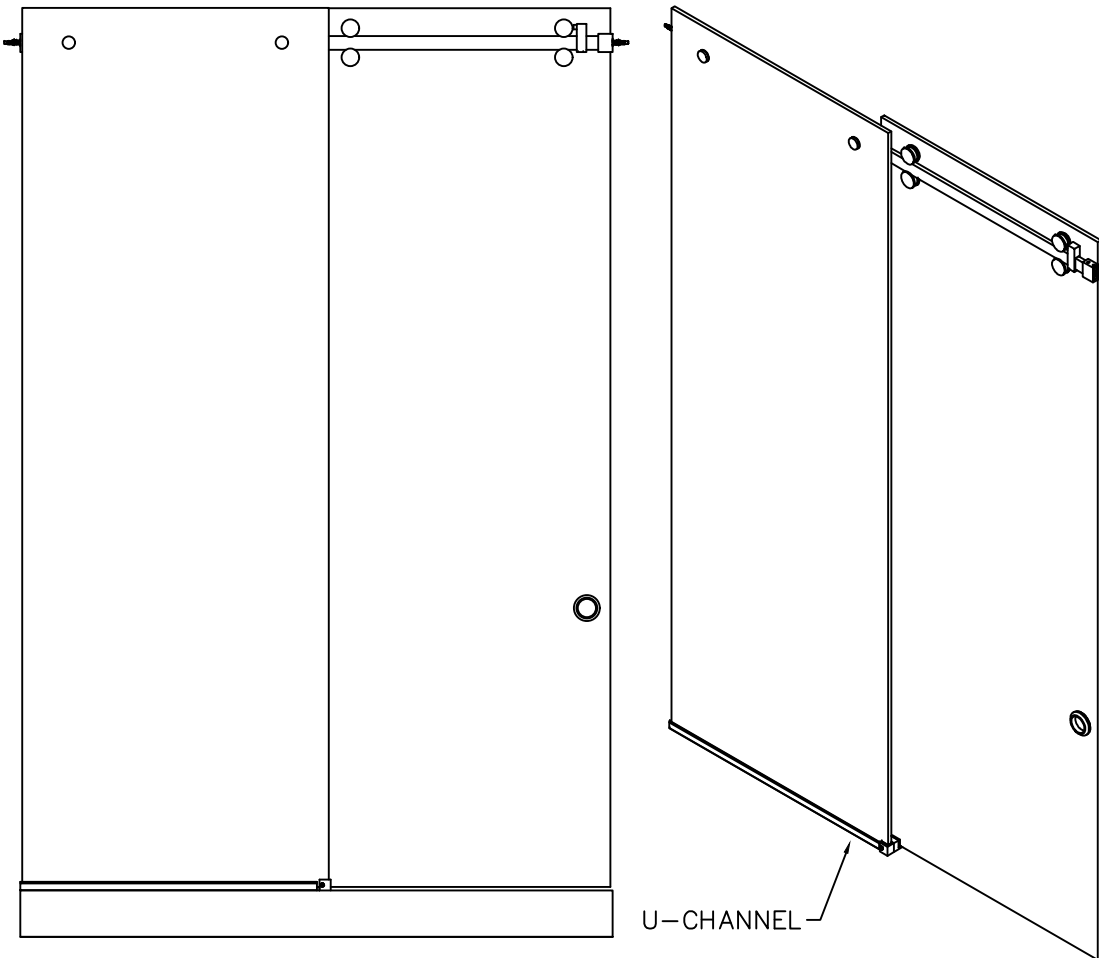
**PL-SDTIF**



- Finishes Available
- Polished Stainless PL-SDTIFPS
  - Brushed Stainless PL-SDTIFBS
  - Oil Rubbed Bronze PL-SDTIFORB

MAXIMUM WEIGHT: 130 LBS  
SUPPORT BAR LENGTH: 60"

- A) ROLLER HOLE SIZE: 5/8"Ø
- B) FIXED PANEL HOLE SIZE: 5/8"Ø
- C) TRACK THRU HOLE SIZE: 3/8"Ø
- D) FLUSH PULL HOLE SIZE: 1-7/8"Ø

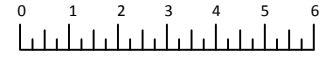


# TIFFANY SHOWER DOOR SLIDER

PART NO: PL-SDTIF\_\_

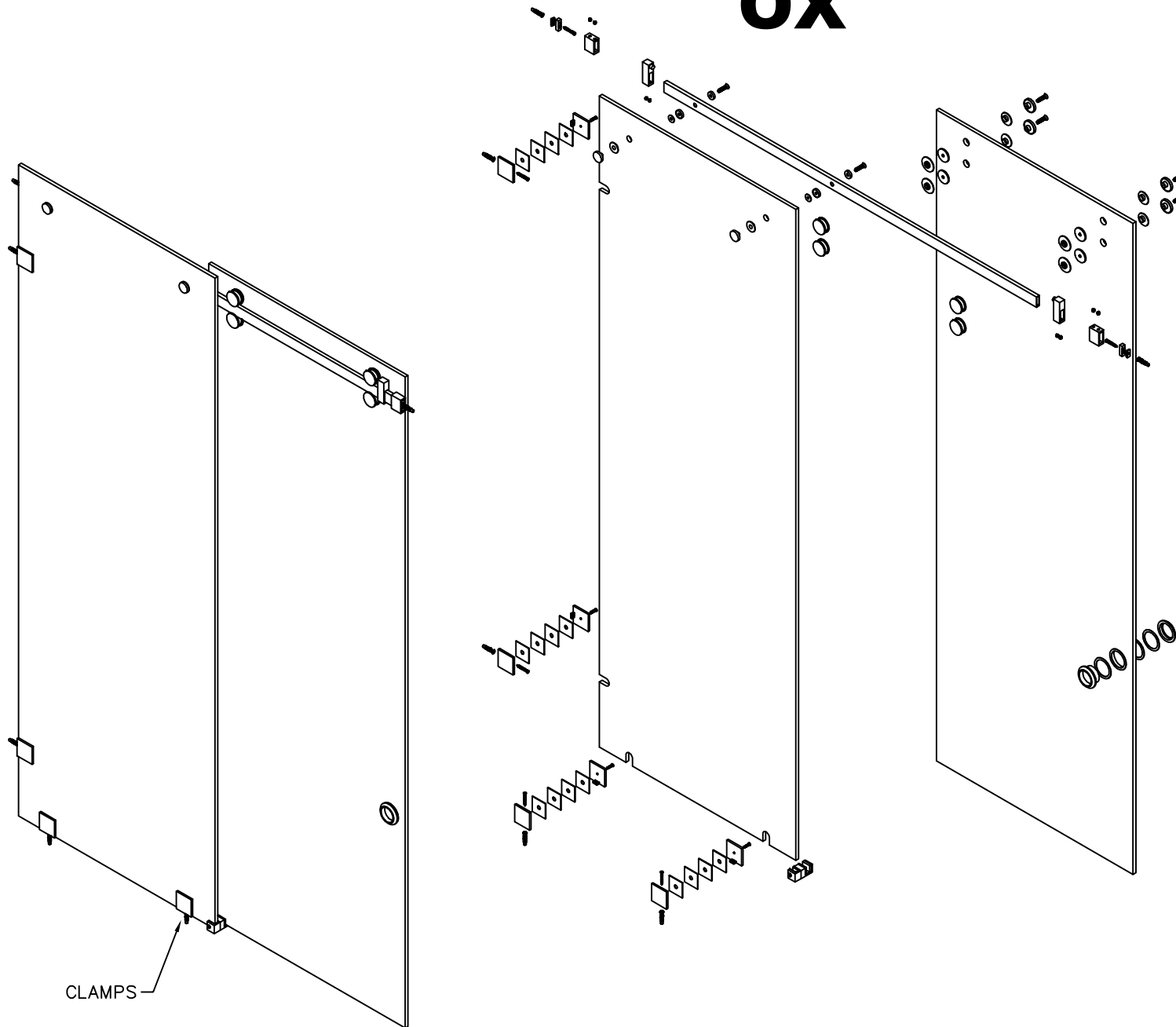
Phone# (800) 433-7044

## OX



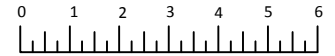
(USE RULER TO SCALE DIMENSIONS IN INCHES)  
(DRAWING NOT TO SCALE)

- Finishes Available
- Polished Stainless PL-SDTIFPS
  - Brushed Stainless PL-SDTIFBS
  - Oil Rubbed Bronze PL-SDTIFORB



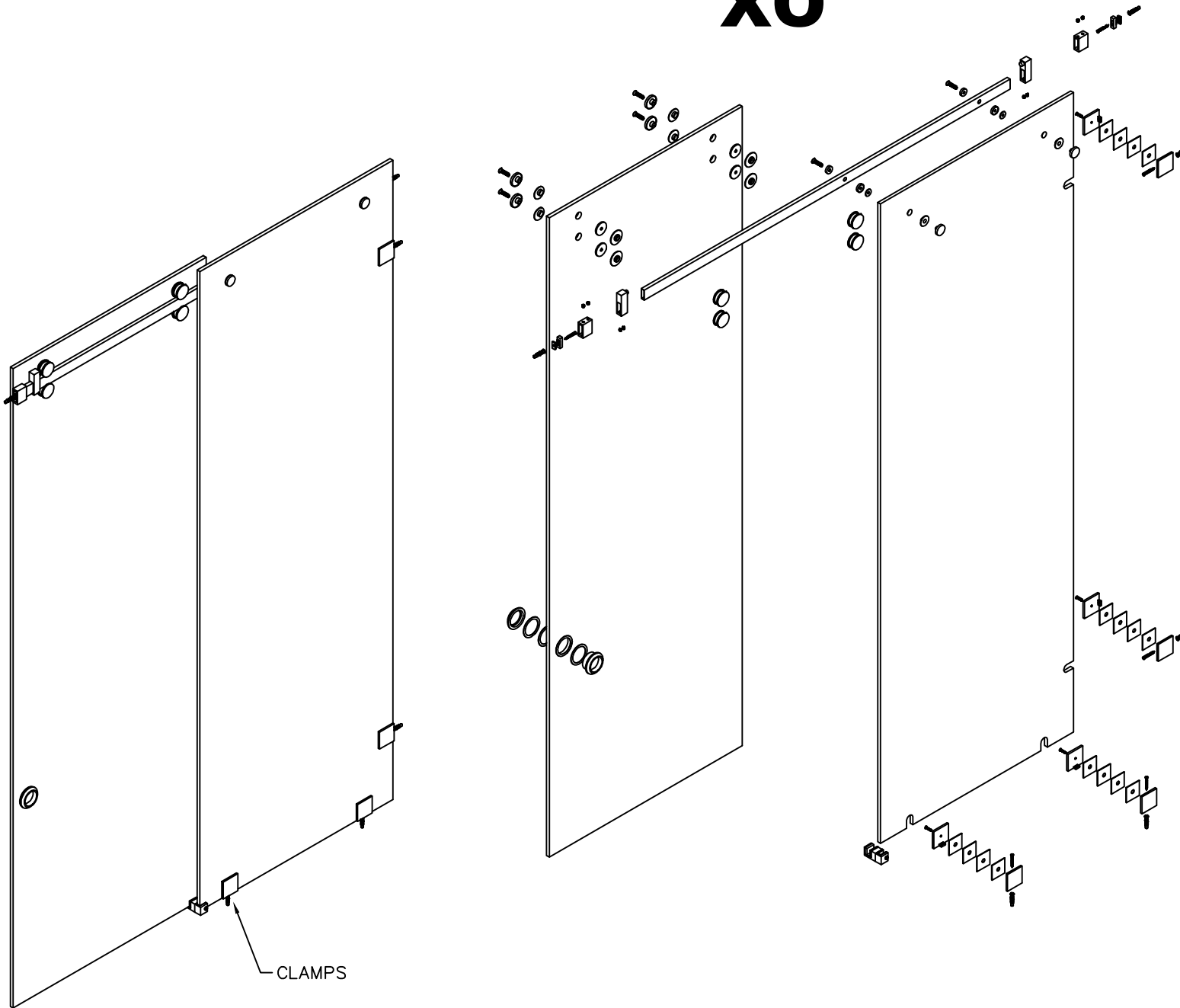
# TIFFANY SHOWER DOOR SLIDER

## XO



(USE RULER TO SCALE DIMENSIONS IN INCHES)  
(DRAWING NOT TO SCALE)

- Finishes Available
- |   |             |
|---|-------------|
| <input type="checkbox"/> Polished Stainless | PL-SDTIFPS  |
| <input type="checkbox"/> Brushed Stainless  | PL-SDTIFBS  |
| <input type="checkbox"/> Oil Rubbed Bronze  | PL-SDTIFORB |



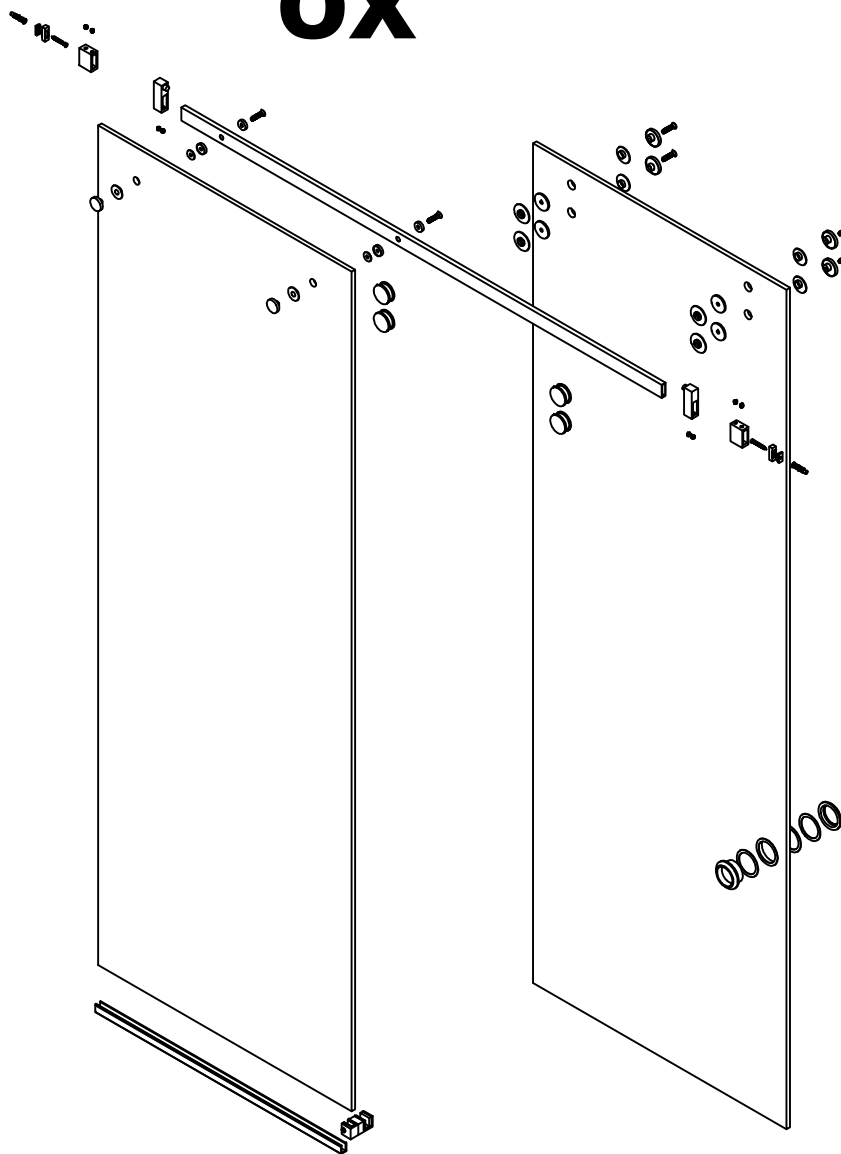
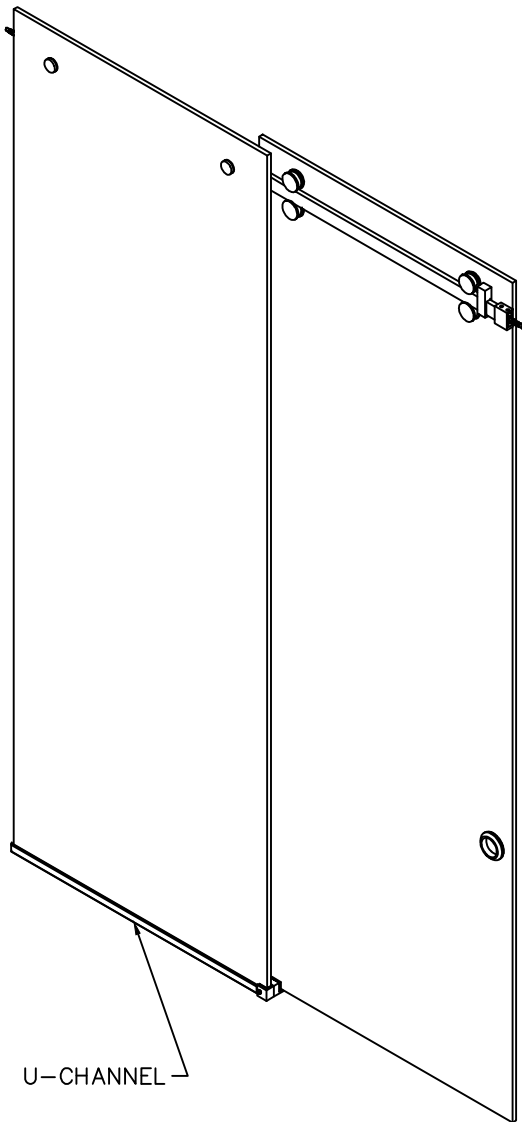
# TIFFANY SHOWER DOOR SLIDER

## OX



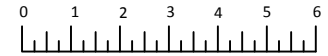
(USE RULER TO SCALE DIMENSIONS IN INCHES)  
(DRAWING NOT TO SCALE)

- Finishes Available
- |                          |                    |             |
|--------------------------|--------------------|-------------|
| <input type="checkbox"/> | Polished Stainless | PL-SDTIFPS  |
| <input type="checkbox"/> | Brushed Stainless  | PL-SDTIFBS  |
| <input type="checkbox"/> | Oil Rubbed Bronze  | PL-SDTIFORB |



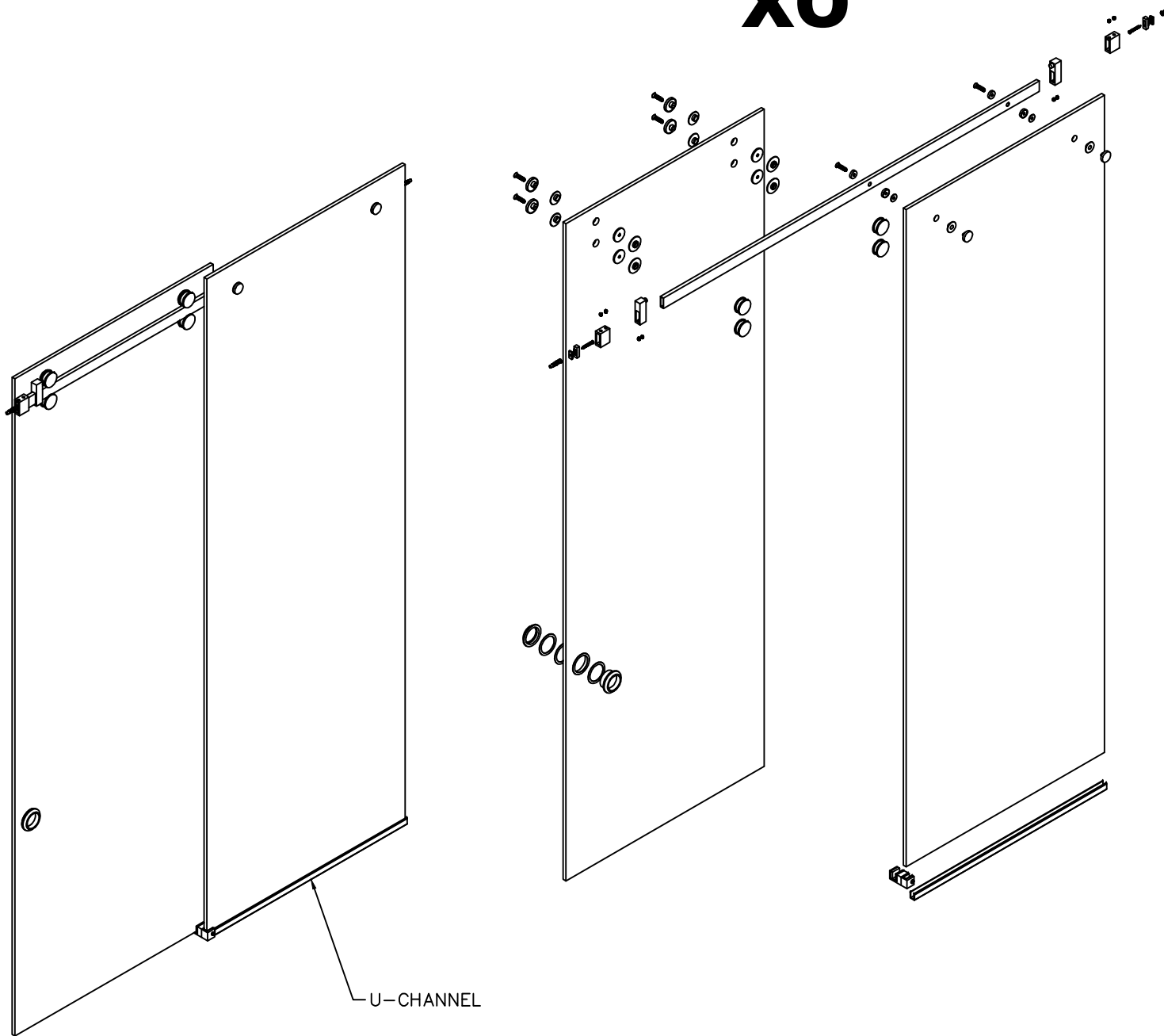
# TIFFANY SHOWER DOOR SLIDER

## XO



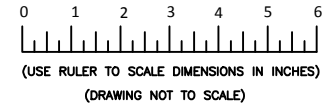
(USE RULER TO SCALE DIMENSIONS IN INCHES)  
(DRAWING NOT TO SCALE)

- Finishes Available
- Polished Stainless    PL-SDTIFPS
  - Brushed Stainless    PL-SDTIFBS
  - Oil Rubbed Bronze    PL-SDTIFORB

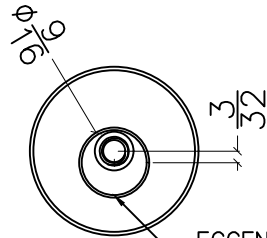
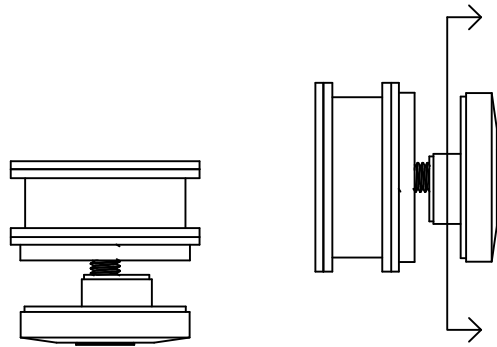




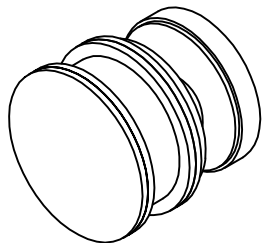
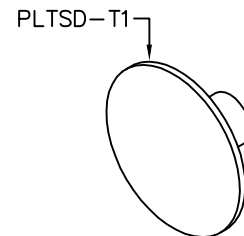
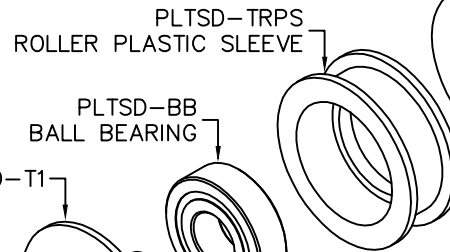
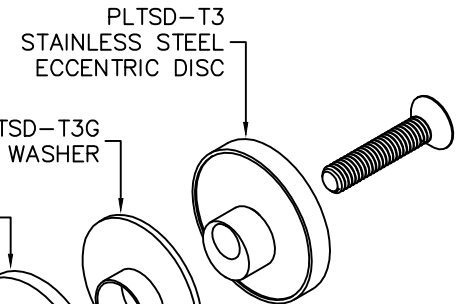
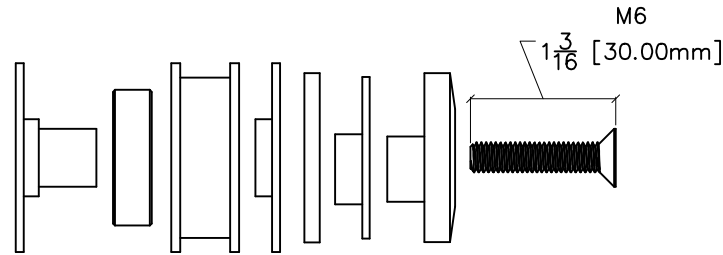
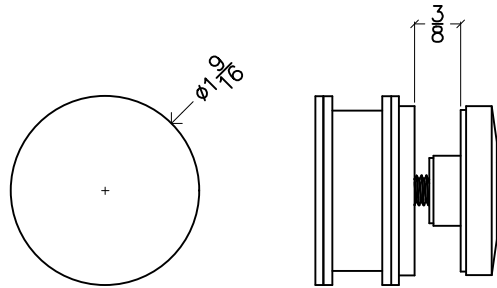
**PL-SDT-R**



GLASS HOLE  
5/8" Dia.



ECCENTRIC GROMMET  
3/32" ADJUSTMENT TO LOCK ROLLER AGAINST TRACK

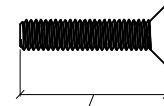
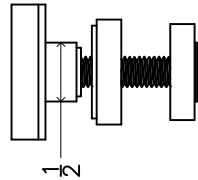
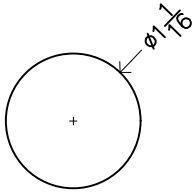
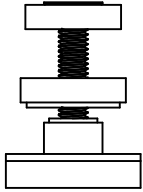


# PL-SDT-GM

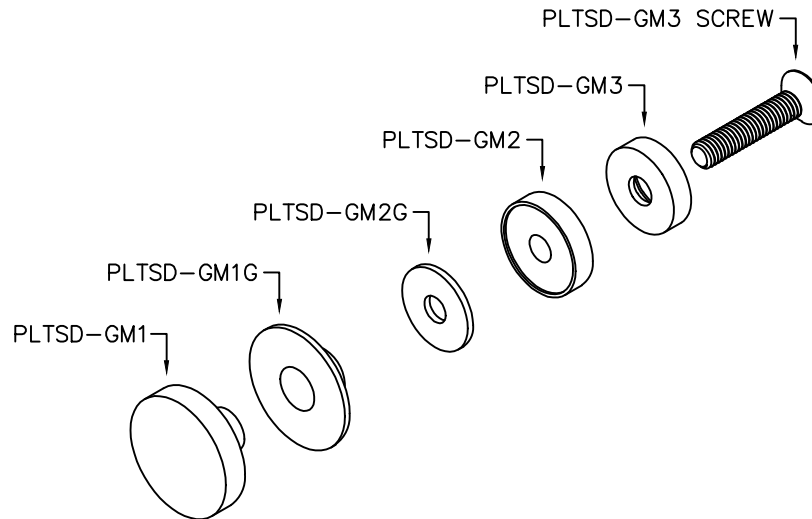
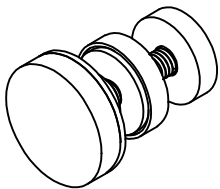
0 1 2 3 4 5 6  
 (USE RULER TO SCALE DIMENSIONS IN INCHES)  
 (DRAWING NOT TO SCALE)

GLASS HOLE  
 5/8" Dia.

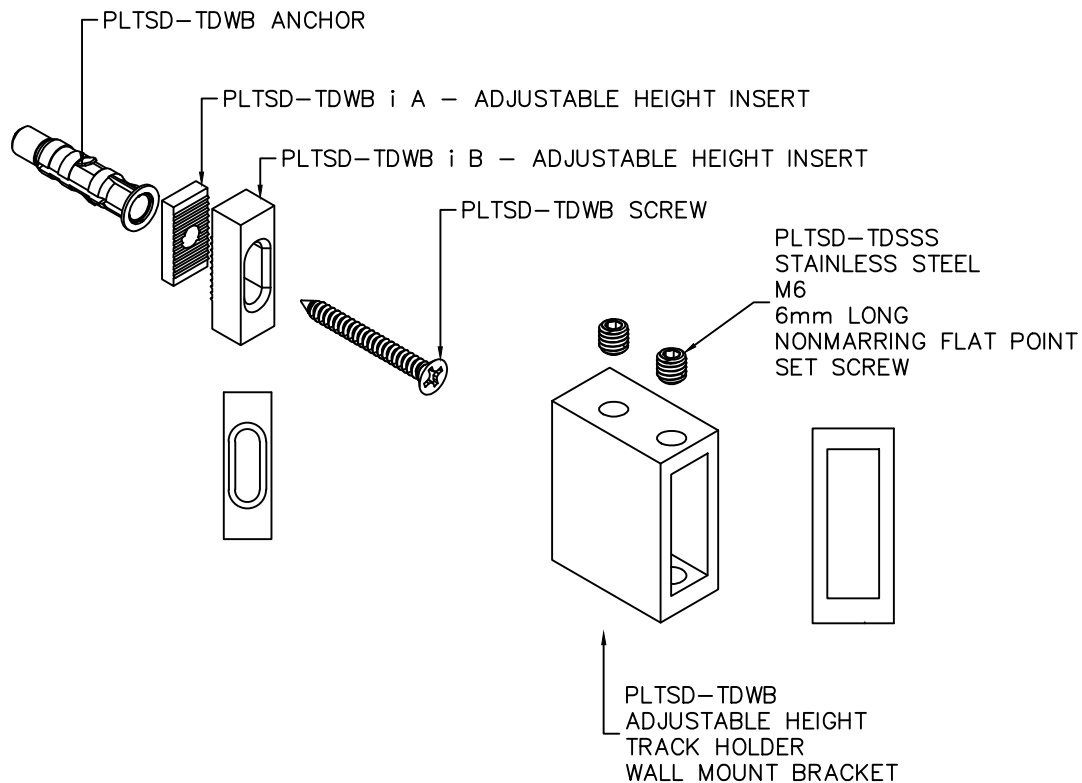
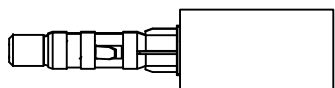
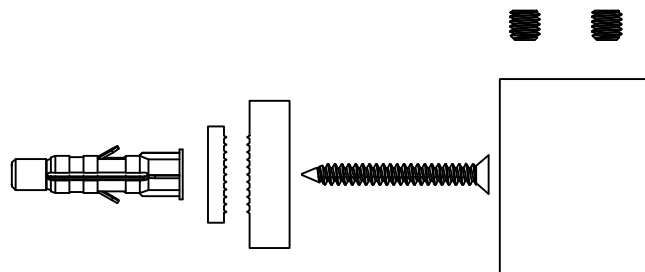
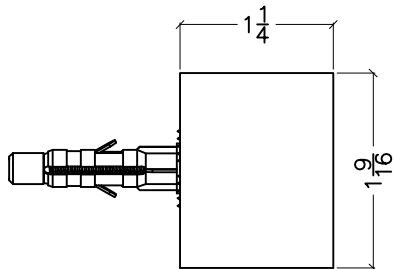
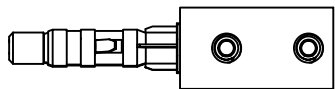
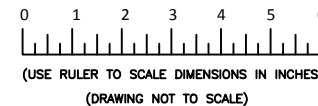
METAL TRACK HOLE  
 3/8" Dia.



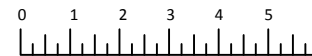
M6  
 $1 \frac{3}{16}$  [30.00mm]



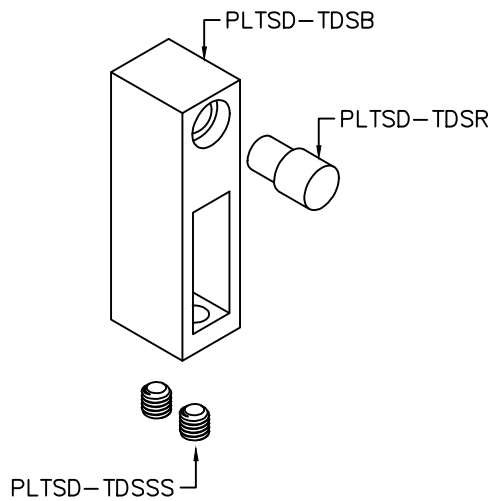
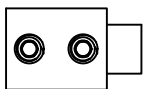
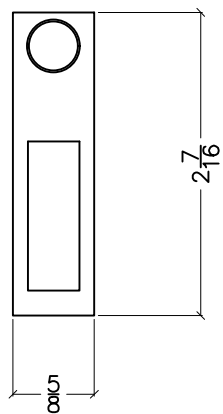
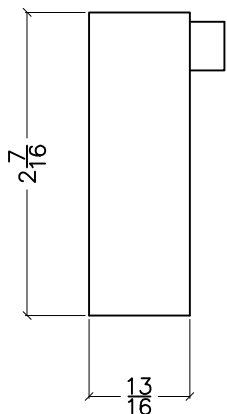
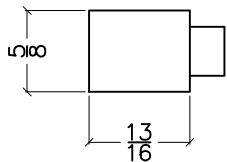
# PL-SDT-WMB



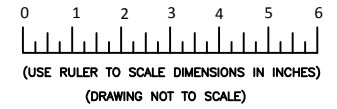
## PL-SDT-DS



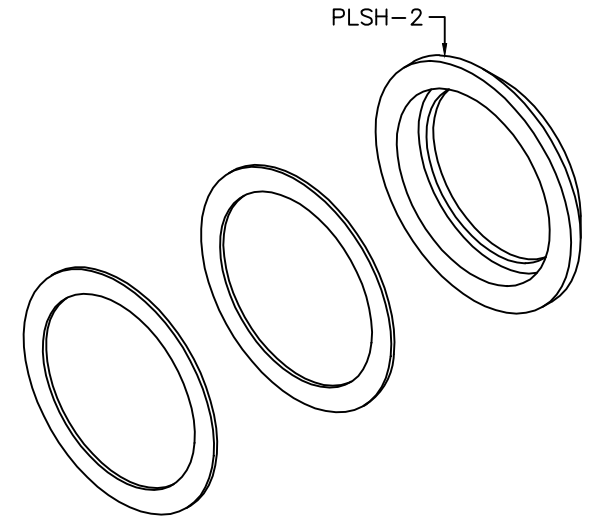
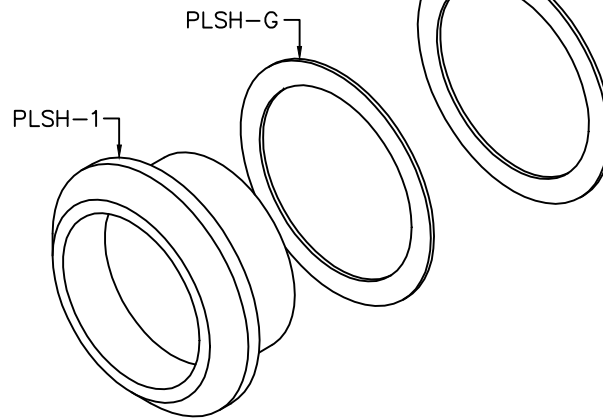
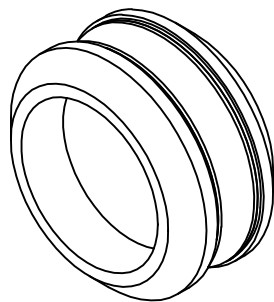
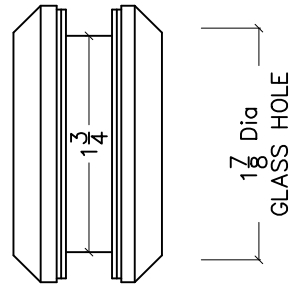
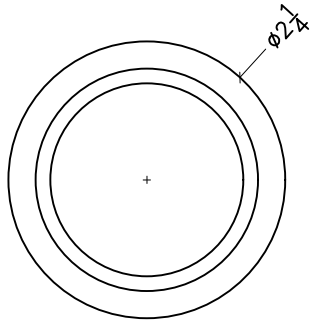
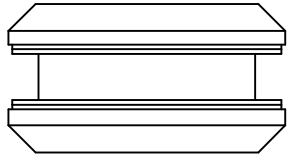
(USE RULER TO SCALE DIMENSIONS IN INCHES)  
(DRAWING NOT TO SCALE)



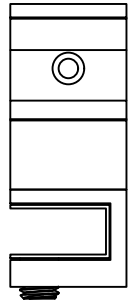
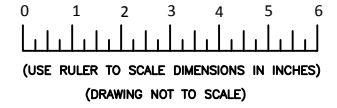
## PLSH



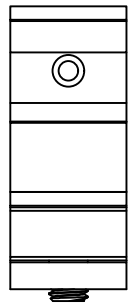
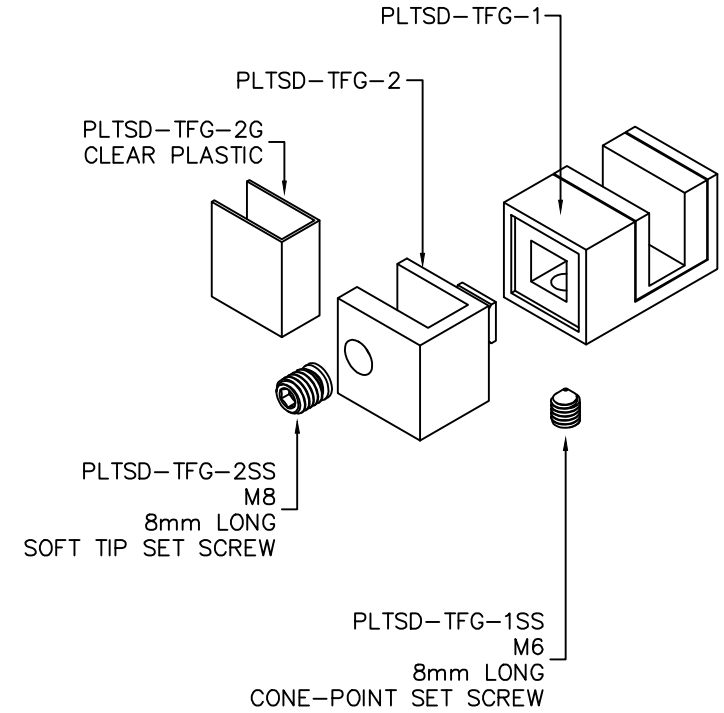
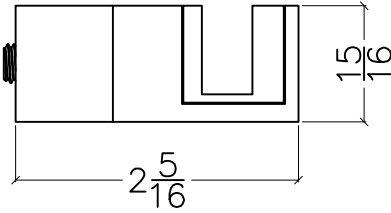
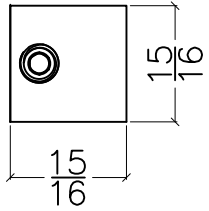
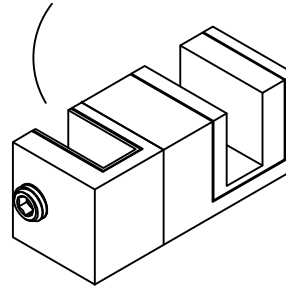
GLASS HOLE  
1-7/8" Dia.



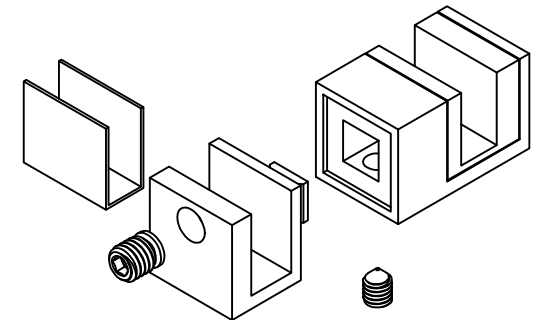
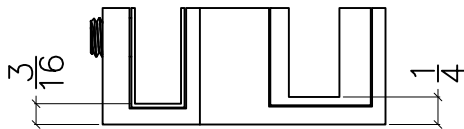
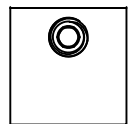
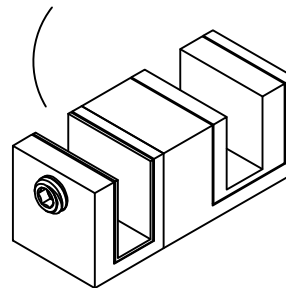
# PL-SDT-FG



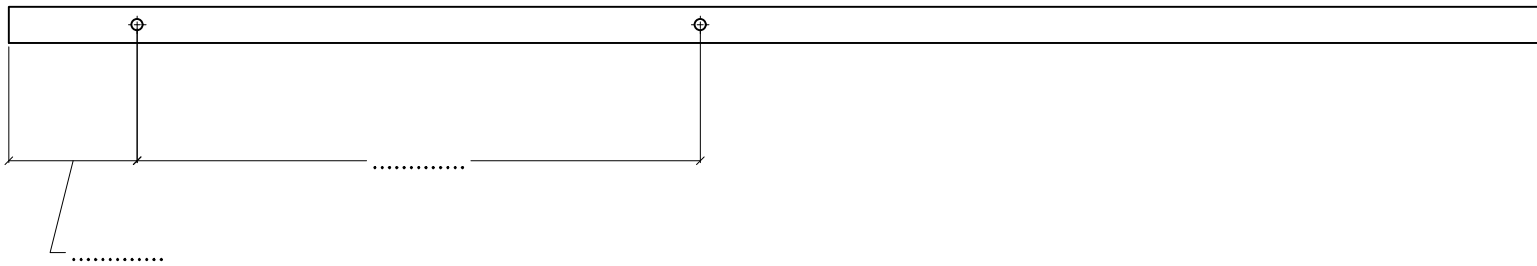
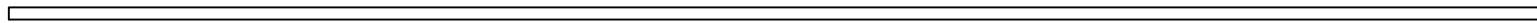
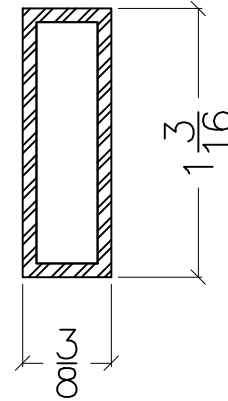
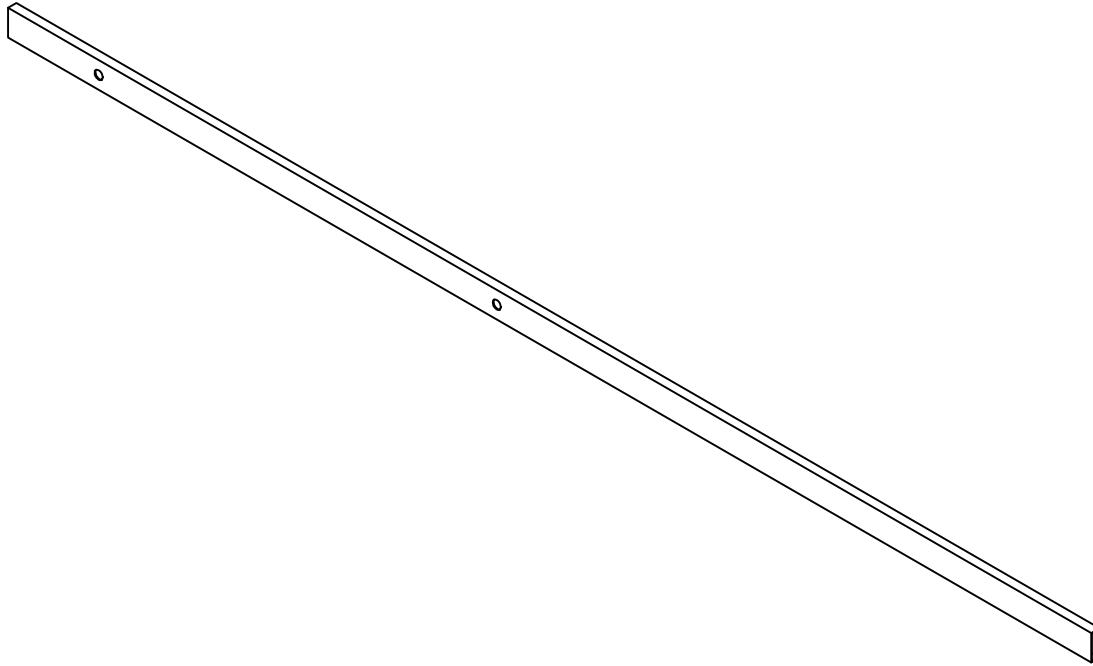
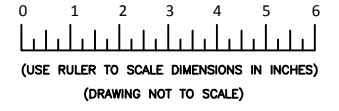
## FIXED PANEL VERTICAL EDGE MOUNT



## FIXED PANEL BOTTOM EDGE MOUNT

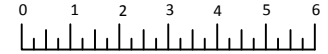


## PL-SDT-T





## PL-SDT-T



(USE RULER TO SCALE DIMENSIONS IN INCHES)  
(DRAWING NOT TO SCALE)

